



川源(中国)机械有限公司
GSD (China) Co.,Ltd.



CVDC

立式干井式不堵塞泵

CVDC vertical dry pit non-clog pump



CVDC立式干井式不堵塞泵

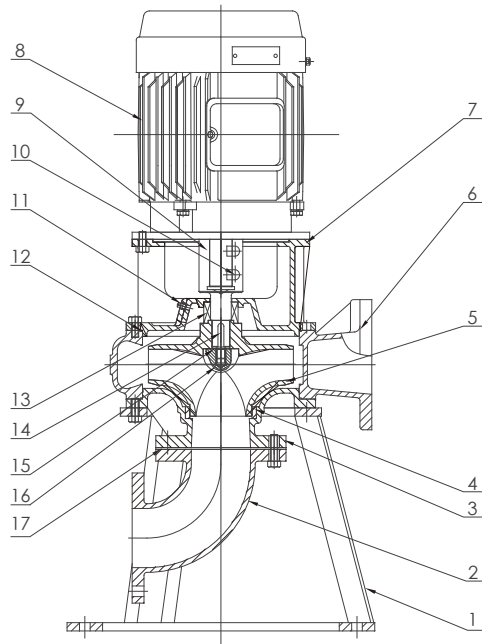
CVDC vertical dry pit non-clog pump

用途 Application

- 污水处理厂污泥及污物抽送。
- 生活废水及工厂污水抽送。
- Wastewater treatment plant sewage and sludge pumping equipment.
- Municipal and industrial wastewater pumping equipment.

特点 Features

- 机组采用立式结构，泵与电机通过套筒轴结构连接，同心度高，占地面积小，节省投资。
- 叶轮为不堵塞型结构，流道宽大，污物容易通过，效率高，所有叶轮均经动、静平衡校正，运转平稳，寿命长。
- 使用全封闭滚珠轴承，可承受泵浦工作时所产生之轴向力。
- 国标Y₂系列标准电机，维护方便。
- The whole machine is in vertical structure, pump and motor connection through the quill shaft structure, high concentricity. Small footprint and saving investment.
- Non-clog impeller is designed to allow sizable spherical solids to pass the flow passage easily without clogging. High efficiency. All impeller have been well statically & dynamically balanced.
- Operating stably and having long operating life. Full closed ball bearings add protection for high loads.
- GB Y₂ series standard motor, easy to maintain.



NO.	名称	Name	材质 Material	
			GB	JIS
1	泵支架	Pump stent	Q235A	SS400
2	弯管	Bent pipe	HT200	FC200
3	前盖	Front cover	HT200	FC200
4	密封环	Seal ring	ZCuSn10Pb5	LBC2
5	叶轮	Impeller	HT200	FC200
6	泵体	Pump casing	HT200	FC200
7	中承座	Bracket	HT200	FC200
8	电机	Motor	-	-
9	套筒轴	Shaft	3Cr13	SUS420J ₂
10	螺钉	Screw	Q235A	SS400
11	排气孔丝堵	Vent plug	Q235A	SS400
12	O型圈	O ring	NBR	NBR
13	机械密封	Mechanical seal	SiC-SiC	SiC-SiC
14	键	Key	3Cr13	SUS420J ₂
15	止动垫圈	Stop washer	0Cr18Ni9	SUS304
16	叶轮螺母	Impeller nut	0Cr18Ni9	SUS304
17	法兰垫片	Flange washer	NBR	NBR



性能参数 Performance parameters

型号 Type	转速 Speed r/min	流量 Capacity m ³ /h	扬程 Head m	效率 Eff %	电机功率 Motor Power kW	口径 Dia. mm	重量 Weight kg
CVDC50.75-50	1450	10	10	50	0.75	50	60
CVDC51.5-65	1450	25	10	60	1.5	65	89
CVDC51.5-65(I)	1450	18	13.5	60	1.5	65	89
CVDC52.2-65	1450	23	14	60	2.2	65	104
CVDC53.7-65	1450	30	18	55	4	65	148
CVDC55.5-65	1450	26	26	47	5.5	65	150
CVDC51.5-80	1450	30	8.5	60	1.5	80	89
CVDC52.2-80	1450	40	10	60	2.2	80	104
CVDC53.7-80	1450	45	15	62	4	80	135
CVDC55.5-80	1450	35	22	55	5.5	80	170
CVDC57.5-80	1450	55	22	62	7.5	80	174
CVDC57.5-80(I)	1450	36	28.5	47	7.5	80	205
CVDC511-80	1450	45	38	60	11	80	285
CVDC515-80	1450	50	44	51	15	80	312
CVDC53.7-100	1450	75	10	70	4	100	135
CVDC55.5-100	1450	95	12	68	5.5	100	172
CVDC57.5-100	1450	100	15	70	7.5	100	205
CVDC511-100	1450	90	22	68	11	100	267
CVDC515-100	1450	100	26	65	15	100	275
CVDC519-100	1450	110	28.5	66	18.5	100	356
CVDC53.7-150	1450	130	6	72	4	150	205
CVDC55.5-150	1450	180	6	73	5.5	150	216
CVDC57.5-150	1450	120	12	70	7.5	150	225
CVDC511-150	1450	145	15	72	11	150	277
CVDC515-150	1450	200	15	74	15	150	300
CVDC515-150(I)	1450	130	22	70	15	150	300
CVDC519-150	1450	170	22	73	18.5	150	362
CVDC522-150	1450	200	22	73	22	150	377
CVDC522-150(I)	1450	135	30	66	22	150	350
CVDC57.5-200	1450	250	6	72	7.5	200	235
CVDC511-200	1450	210	10	70	11	200	296
CVDC515-200	1450	300	10	72	15	200	365
CVDC519-200	1450	250	15	75	18.5	200	398
CVDC522-200	1450	250	18	72	22	200	362
CVDC522-200(I)	1450	450	10	72	22	200	398
CVDC530-200	980	420	15	76	30	200	797
CVDC530-200(I)	980	280	22	74	30	200	797
CVDC515-250	1450	500	6	71	15	250	455
CVDC519-250	1450	600	6	71	18.5	250	495
CVDC519-250(I)	1450	350	10	71	18.5	250	495
CVDC522-250	1450	700	6	73	22	250	536
CVDC530-250	980	460	13	75	30	250	782

免费咨询电话

400-657-9066

本型录内容如有变更，恕不另行通知。

We reserve the right to change content without notice.

